

FRAMING STRAP INSTALLATION PROCEDURES

Framing Straps are typically used with Modular Homes, where it is difficult to nail each joist to the Sill Plate. When using Framing Straps, use the following Installation Procedures.

Additional information can be found in the Modular Connection section of the Superior Walls Builder Guideline Booklet (BGB). The BGB can be found at www.superiorwalls.com/resources/documents-center/.

WARNING: Eye protection should be worn at all times.

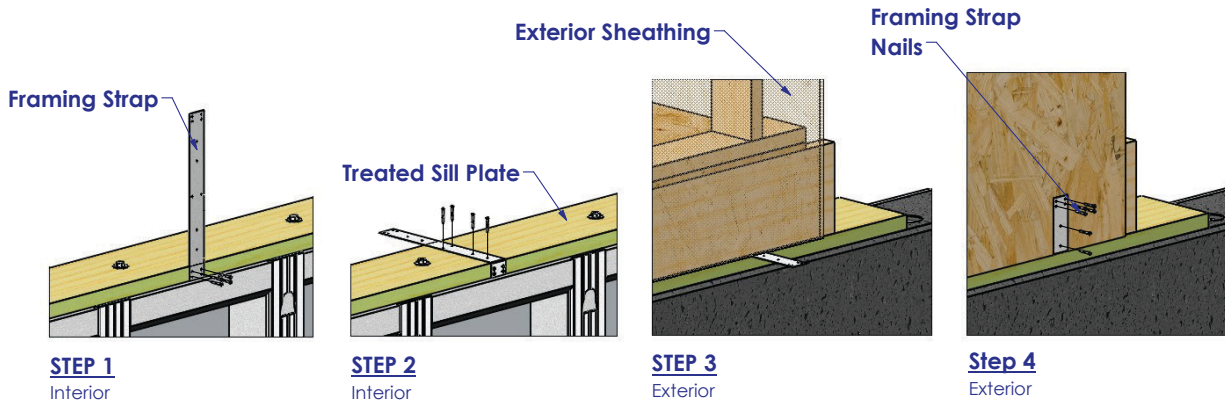
- Before attaching Framing Straps, make sure that the sill plate is bolted properly to the top bond beam per the Sill Plate requirements and the Fastening Schedule in the Builder Guideline Booklet (BGB). Construction adhesive is recommended between the Superior Walls bond beam and the sill plate.
- Joists parallel to Superior Walls panels must have blocking per Floor Joists Parallel to the Foundation Wall requirements and the Fastening Schedule in the Builder Guideline Booklet.

Framing Strap Installation Instructions:

- When using the Framing Strap with a modular home, nail the Framing Strap to sill plate before setting the structure. (See [Table](#) below)
- The Framing Strap lies between the band joist and the sill plate and is fastened with 1-1/2" (.148" x 1.500") nails provided.
- Use 1 nail in every hole of the Framing Strap.

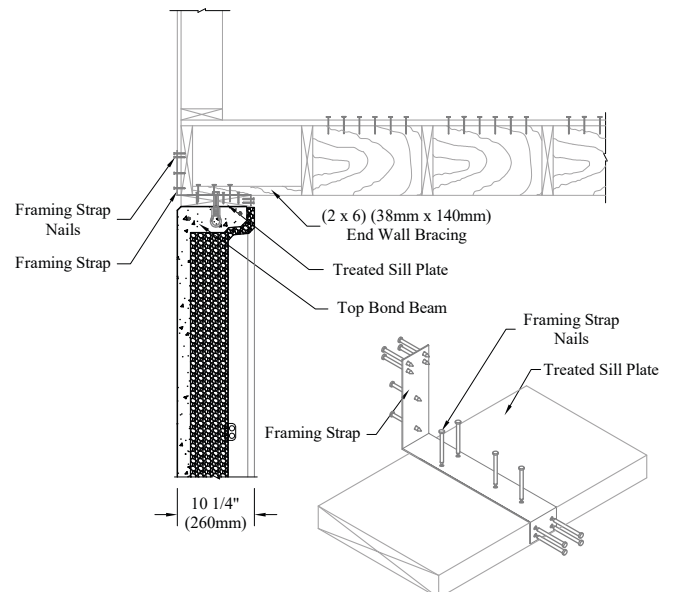
Follow these steps:

1. Nail Framing Strap into the interior edge of the Sill Plate.
2. Bend Strap across Sill Plate and nail securely.
3. Set modular home in place.
4. Bend up strap and nail to framing.



Notes:

- Blocking should be done per instructions in the Builder Guideline Booklet.
- Shear Walls may be required in certain uneven backfill or open floor plan conditions.



Table

Framing Strap Requirements

Backfill Height	Framing Strap Spacing
7'6" - 9'6" (2.3 m - 2.9 m)	32" (813 mm) O.C.
0' < 7'6" (0 m - 2.3 m)	48" (1220 mm) O.C.